

### **SteamCraft® Gemini™ 6** SHORT SERIES PRESSURELESS STEAMER, TWIN, INDEPENDENT GAS-FIRED GENERATORS

**MODEL:**  24CGA6.2S

#### **Cleveland Standard Features**

- 54.5" (1385mm) height to top of upper compartment (lower height makes maintenance easier by lowering the descaling ports)
- Each compartment has cooking capacity for 3 each 12" x 20" x 2½" Steam Table Pans
- Doors hinged left and the controls on the right
- High efficiency independent Power Burner Steam Generators 50,000 BTU's for each compartment
- Each steam-cooking compartment is independently operated and controlled by a separate stainless steel steam generator, gas valve, Power On/Off Control Levers and a Exclusive, Remote Probe-Type Water Level Control
- Easy Access Cleaning Port: Each generator has a deliming port located on the outside, top of the unit
- Generator Cleaning Light for each compartment warns the operator to delime generator
- Generator Steam Standby Mode: Holds generator at a steaming temperature, allows unit to start cooking quickly
- Each compartment has one, 60-Minute Electro-Mechanical Timer with "SureCook" load compensating feature. Manual Bypass Switch for constant steaming.
- Durable 14 Gauge, 304 Stainless Steel construction for compartment door, cooking cavity and steam generator
- **Exclusive Gemini Drain/Power Control System:**  
 Manual 1/2 inch "Ball Valve" type drain that controls main power On/Off and automatically fills generator (located on the control panel)
- Exclusive Brass Steam Jets distribute steam even throughout cooking compartment
- Easy, Front -Access Generator Controls comes with a pullout drawer for simple servicing of unit
- 6" Stainless Steel Adjustable Legs with Flanged Feet
- Approvals: CSA (AGA, CSA) and U.L./NSF#4
- Compartment Steam Shut-Off Switch when compartment door is opened

#### **Options & Accessories**

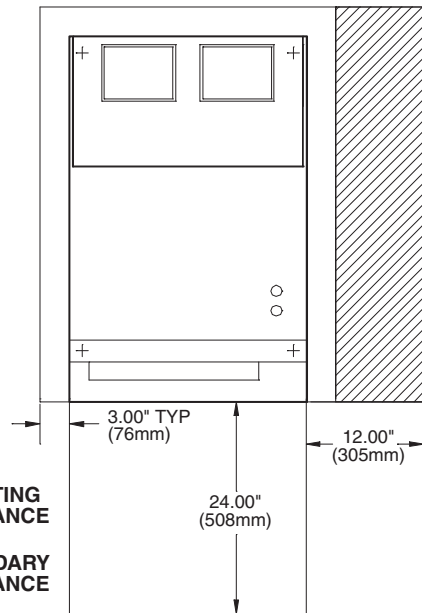
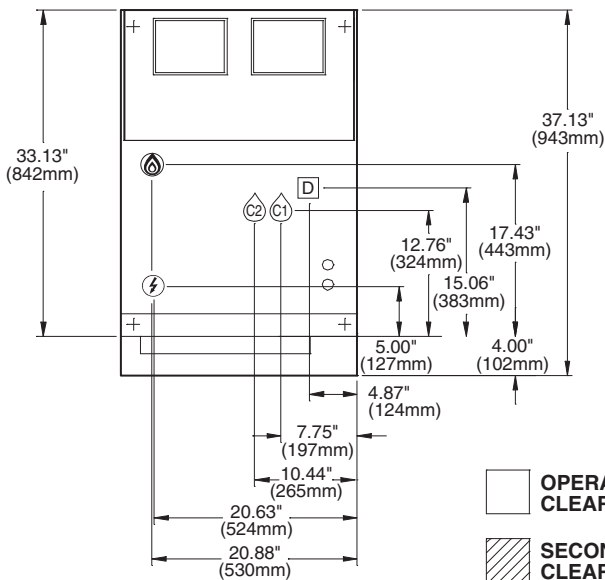
- Electronic Timer with Compensating Feature (ETC)
- On/Off Steam Switch Controls, no timer (MC)



#### **Short Form Specifications**

*Cleveland SteamCraft® Gemini™ Model 24CGA6.2S, 54.5" high, Two compartment steamer. Independent steam generators, 50,000 BTU's input per compartment. "SureCook" electro mechanical timer with load compensating feature. Gas valve and water level control system. Exclusive remote probe-type water level controls. Exclusive Brass "Steam Jet" distribution system. Two-piece free-floating compartment door. 14 gauge stainless steel cavity and door. Pullout service drawer for controls and Gemini Drain/Power Control System.*

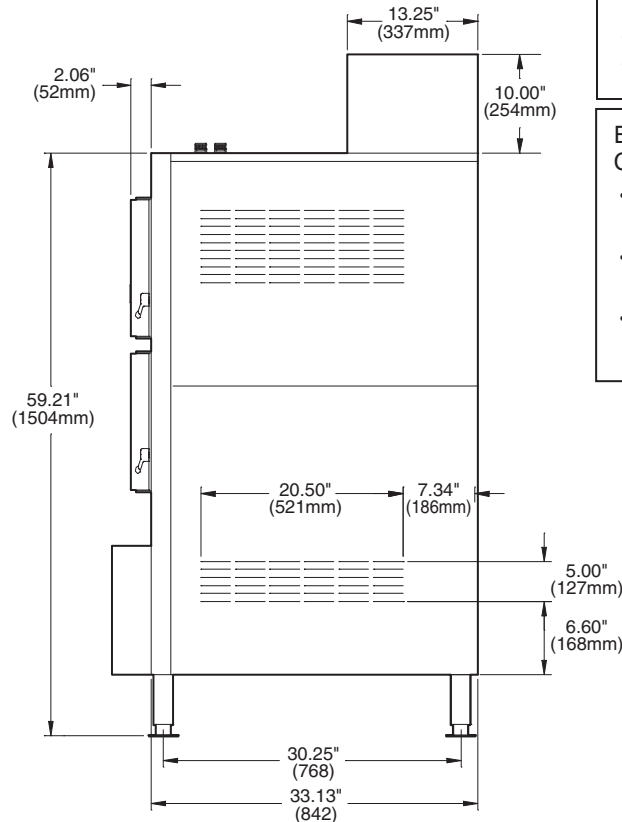
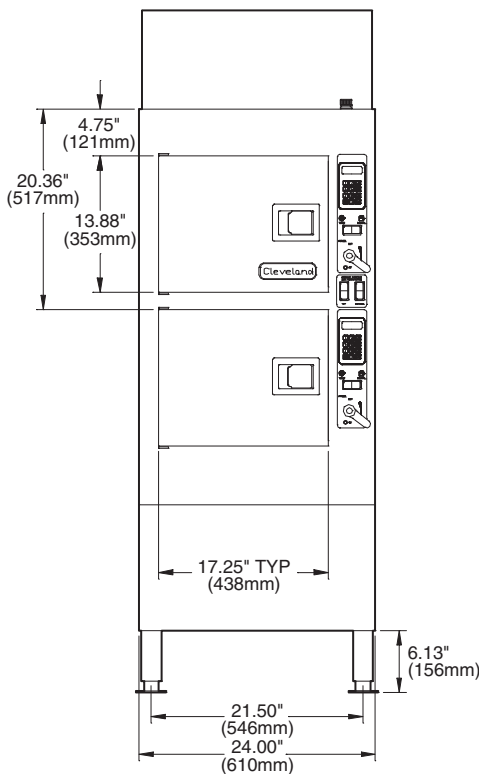
- Propane Gas (PG)
- Dissolve® Descale Solution, 6 one gallon container w/quart markings (106174)
- Water Filters



**OPERATING CLEARANCE**  
**SECONDARY CLEARANCE**

### WATER QUALITY REQUIREMENTS

The quality of water varies greatly from region to region. Steam equipment generators must be drained daily and chemically descaled periodically to ensure proper operation. To minimize service problems caused by the accumulation of minerals and chemicals in water review the following quality guidelines with a local water treatment specialist. Inlet water that is beyond these specified guidelines should be treated to achieve these acceptable limits. Total Dissolved Solids less than 60 ppm, Alkalinity less than 20 ppm, Silica less than 13 ppm, pH factor greater than 7.5, Chlorine less than 30 ppm.



Each Compartment has Capacity for:

- Three 2 1/2" x 12" x 20" Steam Table Pans
- Six 1" x 12" x 20" Steam Table Pans
- Two 4" x 12" x 20" Steam Table Pans

| GAS   |                    |               | ELECTRIC   | COLD WATER                     | CLEARANCE  | DRAINAGE  |
|---|--------------------|---------------|--|--------------------------------|--|---|
| 1 1/4" IPS line size, 3/8" connection                               |                    |               | 120V-1Phase, 60 Hz.                              | 35 psi minimum                 | Right - 3", Left - 3", Rear - 3"   | 1 1/2" dia.   |
| NATURAL   | PROPANE            | BTU           | 2 Blowers & Controls                             | 60 psi maximum                 | (12" on control side if adjoining wall or equipment is over 30" high for service access) | Do not connect other units to this drain  |
| Piping 3/4" N.P.T.  | Piping 3/8" N.P.T. | 50,000 each   | 150 watts each                                   | C2 3/8" dia. NPT for Generator | <b>Contact factory for variances to clearances.</b>                                      | Drain must not be located beneath the steamer itself  |
| Supply pressure   | Supply pressure    | Generator,    | ** Do not connect to GFI outlet. See note below. | C1 3/8" dia. NPT for Condenser |  | Preferred floor drain location should be a minimum distance (from the unit) of at least 12" from the left side, 12" from the right side, 6" from the front and 6" from the rear |
| 4.50" W.C. Min.   | 11.00" W.C. Min.   | 100,000 total |  |                                |  | Do not use PVC pipe   |
| 14.00" W.C. Max.  | 14.00" W.C. Max.   |               |  |                                |  |   |
| Manufacturer must be notified if unit will be used above 2,000 feet |                    |               |  |                                |  |   |

#### NOTES:

\*\*DO NOT CONNECT TO GFI OUTLET. CLEVELAND RANGE RECOMMENDS GAS FIRED 120 VOLT STEAMERS BE HARD WIRED DIRECTLY TO ELECTRICAL SYSTEM. Cleveland Range reserves right of design improvement or modification, as warranted. Many regional, state and local codes exist and it is the responsibility of the owner and installer to comply with the codes. Cleveland Range equipment is built to comply with applicable standards for manufacturers. Included among those approval agencies are UL/NSF#4 and CSA (AGA, CGA).